

Paper Piece Pincushion #02

Cutting the foam board

Lay one of the hexagons onto some foam board. Trace on the foam board around the hexagon as shown in Figure 1. Cut out the hexagon in the foam board.

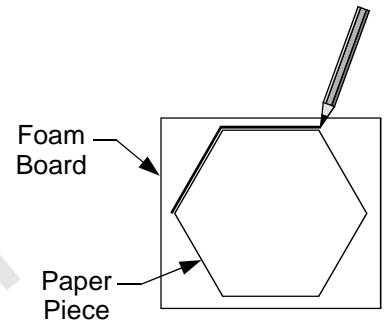


Figure 1

Basting the shapes

Chose two contrasting colors #1 and #2 and baste the shapes in the colors shown:

Shape	Size	Qty	Color
Diamond (6pt)	1-1/2"	3	#1
Diamond (6pt)	1-1/2"	3	#2
Hexagon	1-1/2"	1	#1
Hexagon	1-1/2"	1	#2

To make your pincushion smaller, use the 1" size paper pieces. To make your pincushion bigger, use the 2" size paper pieces.



Figure 2

Making the side

Whip stitch the six basted diamonds together alternating colors as show in Figure 2. Make a ring with the diamonds (paper pieces facing out) and whip stitch the one edge.

Making the pincushion

Whip stitch one basted hexagon to the ring of basted diamonds leaving one edge open. See Figure 3. Remove the hexagon paper piece. Do not remove any of the diamond paper pieces. Always save your paper pieces to be reused. Turn so that the paper pieces in the six diamonds are facing inwards. Put the hexagon foam board in side and whip stitch the bottom basted hexagon with the paper piece facing inside as shown in Figure 4. Remove the rest of the paper pieces through the top opening.

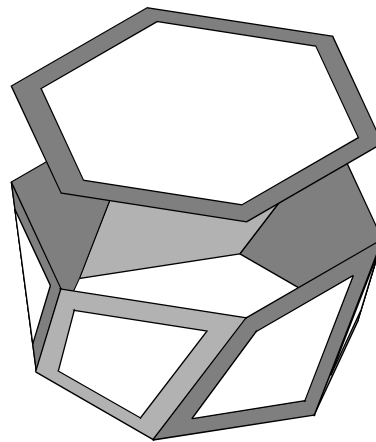


Figure 3

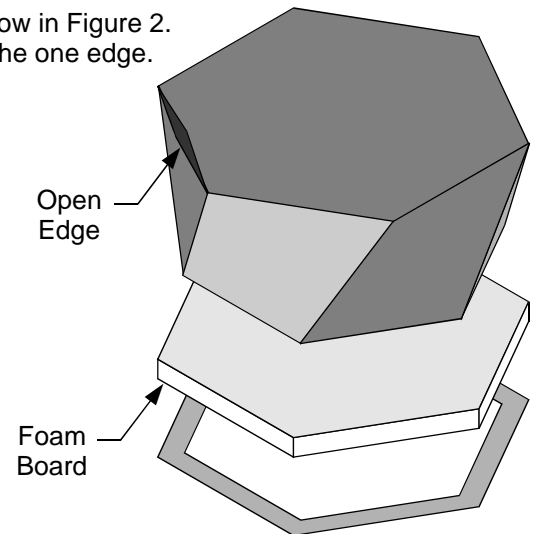


Figure 4

Stuffing the pincushion

Us a funnel and put in about 1/4 cup of plastic pellets. Finish stuffing the pincushion with fiber stuffing. Stuff it pretty full. Whip stitch close the top opening.

Adding the button

Sew one button to the top hexagon. Run your thread thru the center of the pincushion so you can pull the button snug as shown in Figure 5. Tie a knot on the bottom

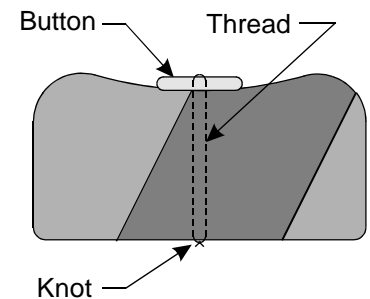


Figure 5

Your Pincushion is ready to be enjoyed!

Electronic Patterns by www.cddesigns.com

Copyright © 2003 CD Designs. All rights reserved.

This pattern is the property of CD Designs and is protected by copyright.

Any reproduction, except for personal use, in whole or in part is strictly prohibited.

PP007-2.cdr